



ITEM #0574423

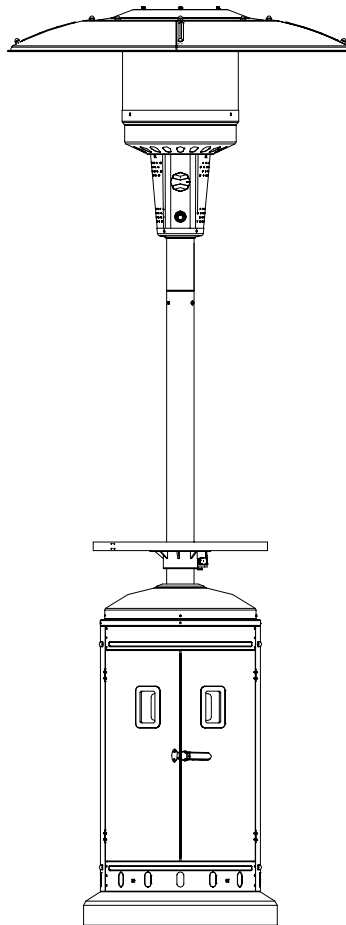
GAS PATIO HEATER

MODEL #PG171H-B

Français p. 19

Español p. 37

Garden Treasures® is a registered trademark of LF, LLC. All Rights Reserved.



ATTACH YOUR RECEIPT HERE

Serial Number _____ Purchase Date _____



Questions, problems, missing parts? Before returning to your retailer, call our customer service department at 1-800-643-0067, 8 a.m. - 8 p.m., EST, Monday - Friday.

EB14167

Lowes.com/gardentreasures



TABLE OF CONTENTS

Product Specifications.....	3
Package Contents.....	4
Hardware Contents.....	5
Preparation.....	5
Safety Information.....	6
Assembly Instructions.....	8
Operating Instructions.....	13
Care and Maintenance.....	15
Troubleshooting.....	17
Warranty.....	17
Replacement Parts List.....	18



DANGER

FOR YOUR SAFETY

If you smell gas:

1. Shut off gas to the appliance.
2. Extinguish any open flame.
3. If odor continues, keep away from the appliance and immediately call your gas supplier or fire department.



WARNING

Do not store or use gasoline or other flammable vapors and liquids in the vicinity of this or any other appliance. An LP-cylinder not connected for use shall not be stored in the vicinity of this or any other appliance.



WARNING:

For Outdoor Use Only



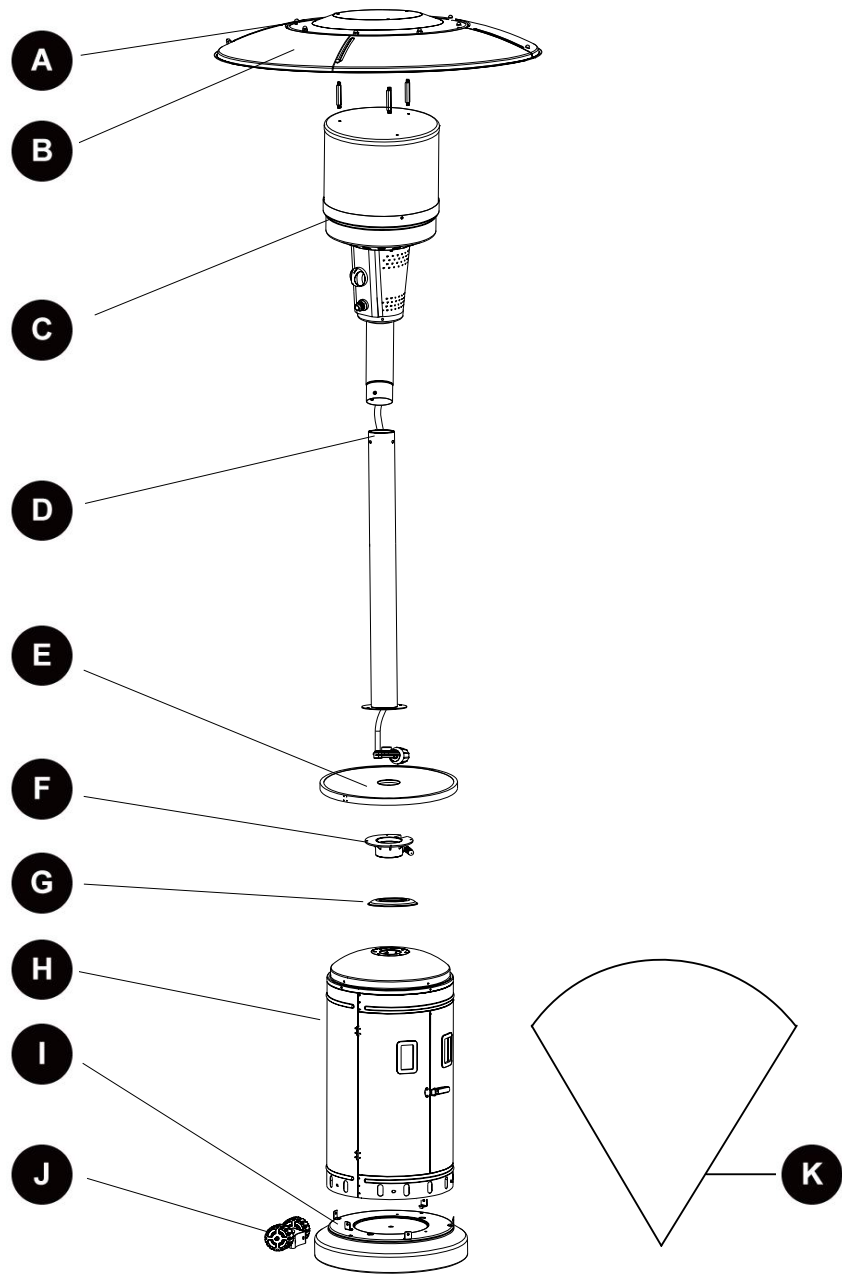
WARNING

Improper installation, adjustment, alteration, service or maintenance can cause property damage, injury or death. Read the installation, operation and maintenance instructions thoroughly before installing or servicing this equipment.

PRODUCT SPECIFICATIONS

Certification	CSA
Height Overall	86.6 inches
Reflector Diameter	31.5 inches
Rated Heat Input	45,000 BTU/HR
Fuel	Propane-LP
Gas Supply	20-Lb LP-Gas Cylinder
Manifold Pressure	11 inches W.C.
Injector Size (Diameter)	2.07 mm
Safety Features	Thermocouple & Tilt Switch
Gas Supply Pressure	Max 150 PSI, Min 5 PSI

PACKAGE CONTENTS

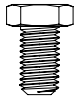


PART	DESCRIPTION	QUANTITY
A	Top Dome	1
B	KD Dome	4
C	Burner Assembly	1
D	Pole Assembly	1
E	Table	1
F	Table Support Assembly	1

PART	DESCRIPTION	QUANTITY
G	Deck Ring	1
H	Cylinder Assembly	1
I	Base	1
J	Wheel Assembly	1
K	Cover	1

HARDWARE CONTENTS

AA



M8 x 15 mm
Bolt
Qty. 2

BB



M5 x 8 mm
Black Bolt
Qty. 5

CC



M8 Nut
Qty. 2

DD



Battery
Qty. 1

EE



ST 4.2 x 8 mm
Screw
Qty. 4

FF



M6 x 10 mm
Bolt
Qty. 4

GG



M5 x 8 mm
Silver Bolt
Qty. 15

HH



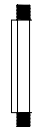
M5 Nut
Qty. 12

II



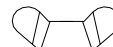
M5 Washer
Qty. 12

JJ



Reflector Spacer
Qty. 3

KK



Wing Nut
Qty. 3

PREPARATION

Before beginning assembly of product, make sure all parts are present. Compare parts with package contents list and hardware contents list. If any part is missing or damaged, do not attempt to assemble the product.

Estimated Assembly Time: 30 minutes.

Tools Required for Assembly (not included): Phillips screwdriver and adjustable open wrench.



SAFETY INFORMATION

Please read and understand this entire manual before attempting to assemble, operate or install the product.

- CALIFORNIA PROPOSITION 65 WARNING: Chemicals known to the state of California to cause cancer, birth defects or other reproductive harm are created by combustion of propane.
- The installation must conform with local codes or, in the absence of local codes, with the National Fuel Gas Code, ANSI Z223.1 /NFPA 54, Natural Gas and Propane Installation Code, CSA B149.1, or Propane Storage and Handling Code, B149.2.



DANGER

- Young children should be carefully supervised when they are in the area of the item.
- Keep the ventilation opening(s) of the cylinder enclosure free and clear from debris. Use this appliance in a well-ventilated space only. Do not use it in a building, garage or any other enclosed area.
- Use this appliance in outdoor areas described below:
 - (a) With walls on all sides, but at least one permanent opening at ground level and no overhead cover.
 - (b) Within a partial enclosure that includes overhead cover and no more than two walls. These walls may be parallel, or at right angles to each other.
 - (c) Within a partial enclosure that includes overhead cover and no more than two walls. The following shall apply:
 - (i) One wall that is equivalent to at least 25% of the total wall area is completely open.
 - (ii) 30% or more in total of the remaining wall area is open and unrestricted.
- Store the cylinder outdoors in a well-ventilated area (not in a building, garage, or other enclosed area) out of the reach of children.
- Do not store a spare LP-gas cylinder under or near this appliance.
- Never fill the cylinder beyond 80 percent full.



WARNING

- Perform a leak test with a soapy solution:
 - (a) To check gas connections.
 - (b) After connecting a new cylinder.
 - (c) Upon re-assembly after disassembly.Please refer to the leak test procedure indicated in this instruction manual on page 14.
- Replace the hose assembly prior to the appliance being put into operation if there is evidence of excessive abrasion or wear, or if the hose is damaged. The pressure regulator and hose assembly supplied with the appliance must be used. The replacement hose assembly/regulator shall be that specified by the manufacturer.
- Place the propane hose with regulator assembly out of pathways where people may trip over it or in areas where the hose will not be subjected to accidental damage.
- The cylinder used must include a collar to protect the cylinder valve.



SAFETY INFORMATION

- Installation and repair should be done by qualified service person; the heater should be inspected before use and at least annually by a qualified service person.
- Do not obstruct the flow of combustion and ventilation air.
- The LP-gas supply cylinder to be used must be:
 - (a) Constructed and marked in accordance with the Specifications for LP-gas cylinders of the U.S. Department of Transportation of Dangerous Goods and Commission, CAN/CSA-B339, as applicable;
 - (b) Provided with a listed overfilling prevention device; and
 - (c) Provided with a cylinder connection device compatible with the connection for the appliance.
- Disconnect the cylinder when the appliance is not in use.
- Storage of an appliance indoors is permissible only if the cylinder is disconnected and removed from the appliance.
- Materials or items when stored under the heater will be subjected to intense heat and could be seriously damaged.
- Clothing or other flammable materials should not be hung on the heater, or placed on, under or near the heater.
- Children and adults should be alerted to the hazards of high surface temperatures and should stay away from the item to avoid burns or clothing ignition.
- Place the dust cap tightly on the cylinder valve outlet whenever the cylinder is not in use. Install only the type of dust cap on the cylinder valve that is provided with the cylinder valve. Other types of caps or plugs may result in a propane leak.

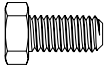

CAUTION

- Minimum clearance to the combustible materials is 44 inches.
- If you don't feel the heater is on a stable surface, use a ground screw to fix the base of the heater on the surface where the heater is installed. Fix the base on an incline no wider than 15 degrees.
- This heater is equipped with a battery-operated ignition device; please refer to the Assembly Instructions on page 12.
- Any guard or other protective device removed for servicing the heater must be replaced prior to operating the heater.
- More frequent cleaning may be required as necessary. It is imperative that the control compartment, burners and circulating air passageways of the heater to kept clean.
- Keep the appliance area clear and free from combustible materials, gasoline and other flammable vapors and liquids.
- Inspect the visible portion of the hose before each use of the appliance. When portions of the hose are located within the confines of the heater post, instructions to inspect the entire hose assembly at least annually. If disassembly is required, the instructions shall also include the proper procedure for leak checking the connections upon re-assembly.
- More frequent cleaning may be required as necessary. It is imperative the control compartment, burners and circulating air passageways of the heater are kept clean.
- **Keep this manual for future reference and to educate new users of this product.**

ASSEMBLY INSTRUCTIONS

1. With the base (I) upside down, attach wheel assembly (J) using M8 x 15 mm bolts (AA) and M8 nuts (CC).

Hardware Used

- AA** M8 x 15 mm Bolt  x 2
- CC** M8 Nut  x 2

2. Turn the base (I) right-side up, then attach cylinder assembly (H) using M5 x 8 mm black bolts (BB) through preassembled L-pins.

Note: The door on the cylinder assembly (H) should be on the opposite side of the wheel assembly (J).

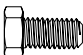
Hardware Used

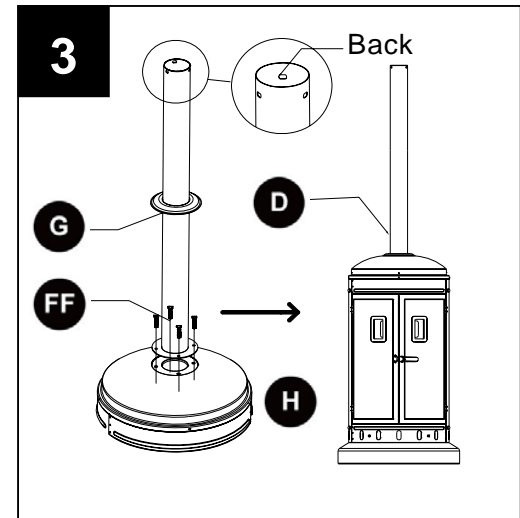
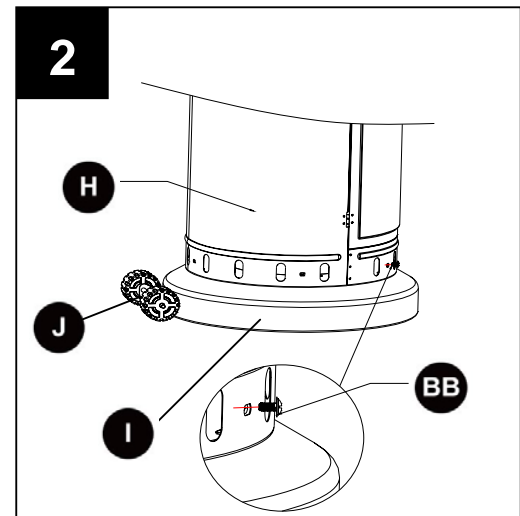
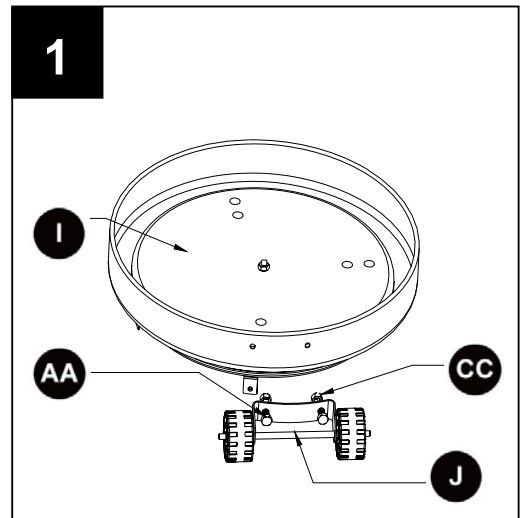
- BB** M5 x 8 mm Black Bolt  x 5

3. Attach pole assembly (D) to cylinder assembly (H) using M6 x 10 mm bolts (FF).

Note: Ensure the pole assembly (D) is straight. Then, use deck ring (G) to cover connection.

Hardware Used

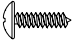
- FF** M6 x 10 mm Bolt  x 4

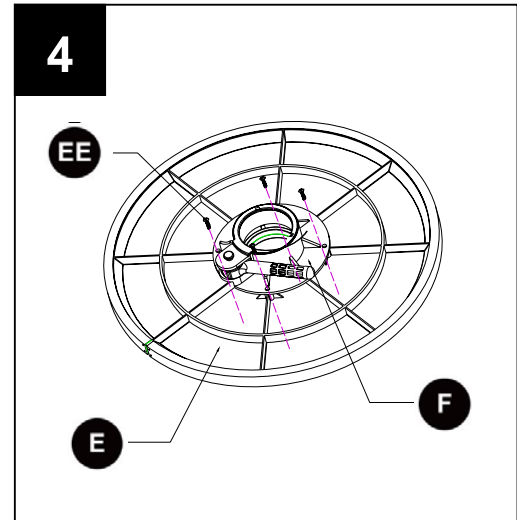


ASSEMBLY INSTRUCTIONS

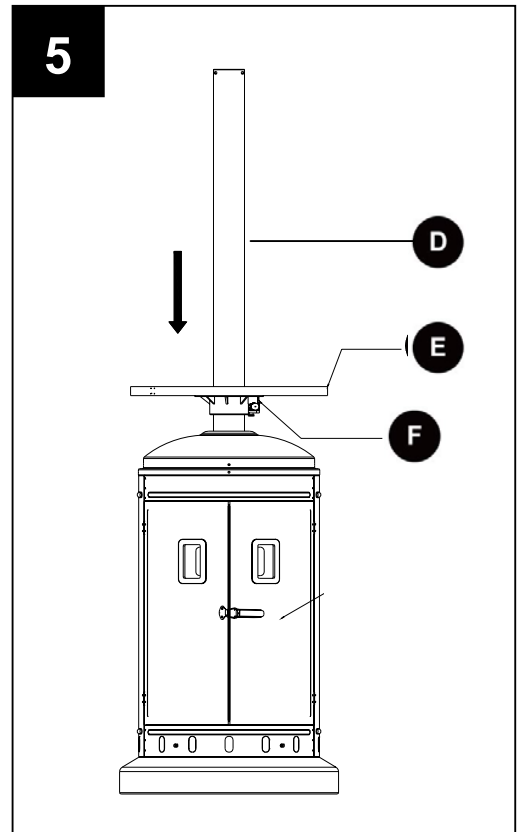
4. Attach table support assembly (F) to the bottom of table (E) with ST4.2 x 8 mm screws (EE).

Hardware Used

EE ST4.2 x 8 mm Screw  x 4



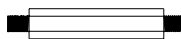
5. Unlock the handle on the table support assembly (F), then insert the table (E) onto the pole assembly (D). Once the desired height is achieved, re-lock handle on the table support assembly (F).

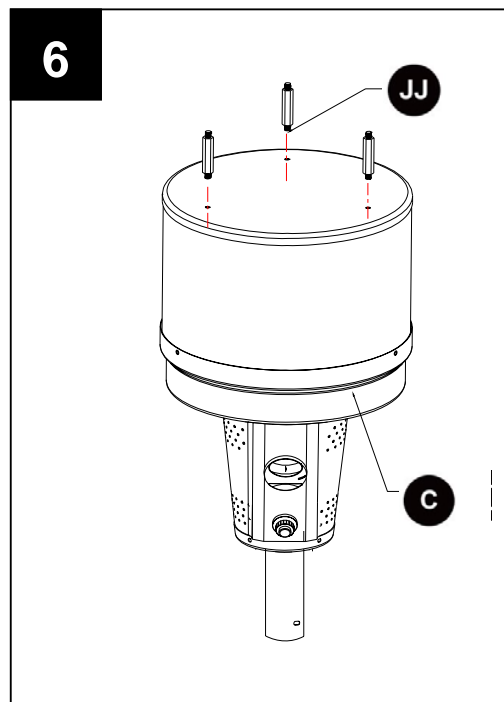


ASSEMBLY INSTRUCTIONS

6. Insert reflector spacers (JJ) into the top of burner assembly (C).

Hardware Used

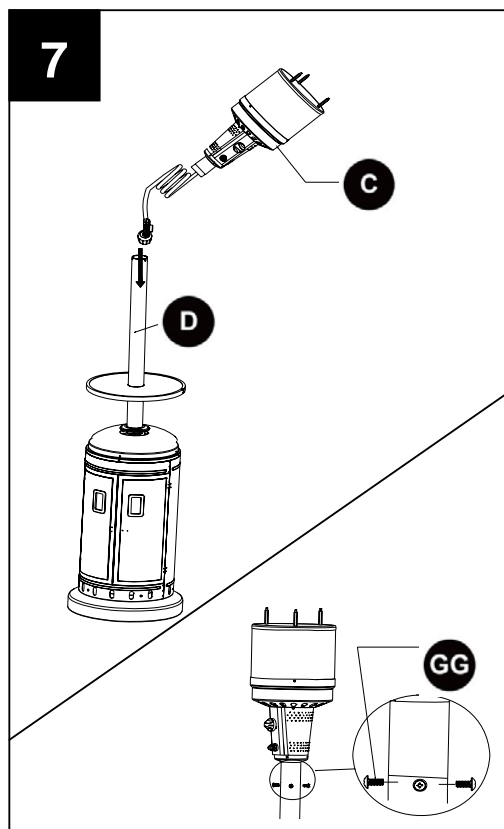
JJ Reflector Spacer  x 3



7. Thread the regulator assembly preassembled to burner assembly (C) through the pole assembly (D). Once the burner assembly (C) rests on pole assembly (D), secure with M5 x 8 mm silver bolts (GG).

Hardware Used




GG M5 x 8 mm Silver Bolt  x 3

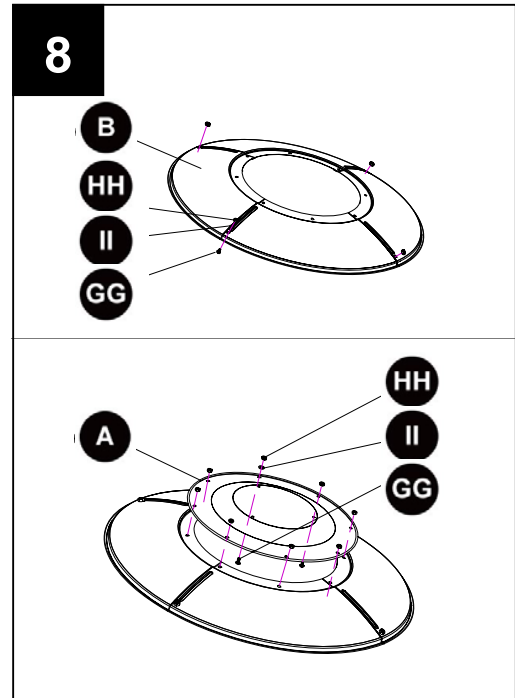


ASSEMBLY INSTRUCTIONS

8. Attach KD domes (B) using M5 nuts (HH), M5 washers (II) and M5 x 8 mm silver bolts (GG). Then, complete dome assembly by attaching top dome (A) to KD domes (B) using M5 nuts (HH), M5 washers (II) and M5 x 8 mm bolts (GG).

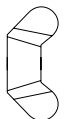
Hardware Used

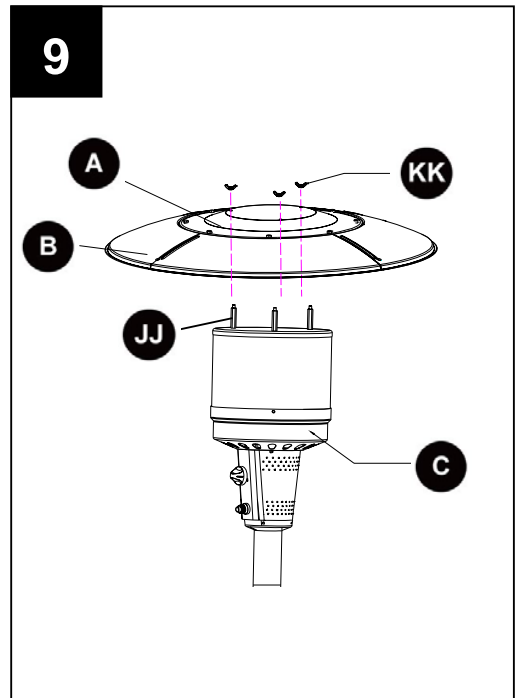
GG	M5 x 8 mm Silver Bolt		x 12
HH	M5 Nut		x 12
II	M5 Washer		x 12



9. Attach dome assembly to burner assembly (C) by securing wing nuts (KK) to reflector spacers (JJ).

Hardware Used

KK	Wing Nut		x 3
-----------	----------	---	-----



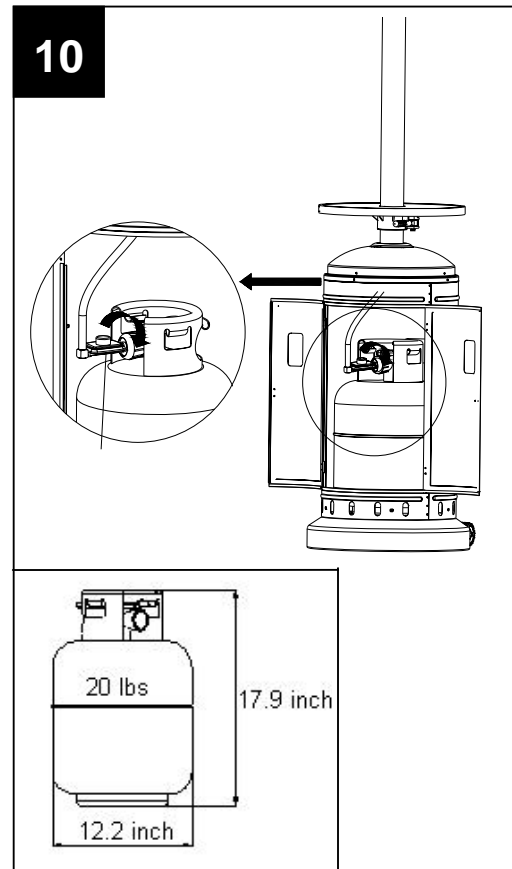
ASSEMBLY INSTRUCTIONS

10. Connect the preassembled regulator assembly from burner assembly (C) to a 20-lb. LP-gas cylinder (sold separately). Line up threads on cylinder fitting with those on regulator and rotate clockwise until tight. **HAND TIGHTEN ONLY. DO NOT USE ANY HAND TOOLS TO MAKE THIS CONNECTION.** Be careful not to cross threads when screwing in fitting.

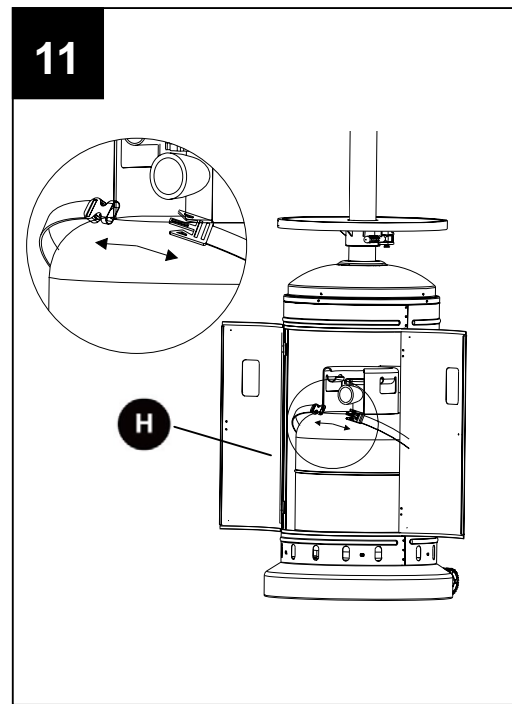
To disconnect the LP-gas cylinder, first make sure the cylinder valve is in the "OFF" position. Then, turn the knob on the regulator assembly counterclockwise until it is loose.

Warning

Before connecting, be sure there is no debris caught in the head of the LP-gas cylinder regulator valve or in the head of the burner and burner ports.

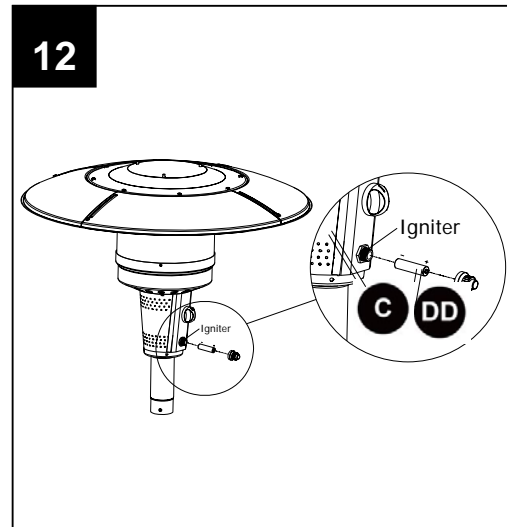


11. Attach strap inside of cylinder assembly (H) to secure cylinder. Then, close door on cylinder assembly (H) to complete installation.



ASSEMBLY INSTRUCTIONS

12. To install the battery (DD), unscrew the igniter cap preassembled to burner assembly (C). Insert battery (DD) into the igniter, ensuring the positive "+" end faces outward. Then replace the igniter cap.



OPERATING INSTRUCTIONS

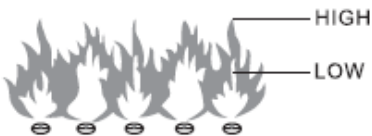
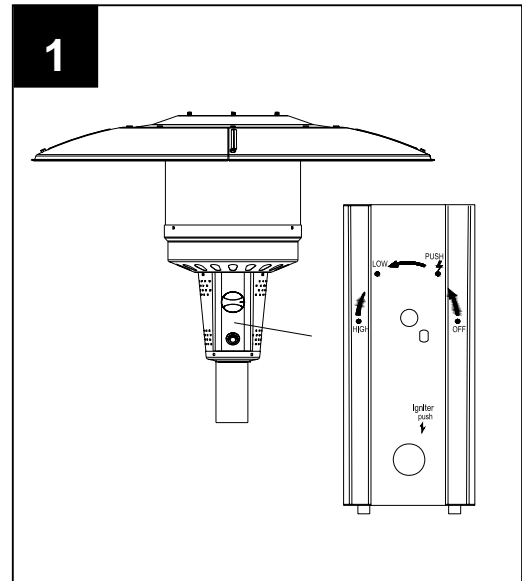
Checking for Leaks

- a. Make leakage solution by mixing 1-part liquid dish soap and 3-parts water.
- b. Spoon or brush several drops (or use squirt bottle) of the solution onto the gas hose/regulator and regulator/cylinder and hose connections.
- c. Turn on gas cylinder valve. Inspect the connections and look for bubbles.
 1. If no bubbles appear, the connection is safe.
 2. If bubbles appear, there is leakage. Loosen and re-tighten this connection. If it still leaks, please call customer service.

OPERATIONG INSTRUCTIONS

Lighting Instructions

1. Turn the LP gas cylinder valve OFF. Push the control knob on the pole in, turn OFF, and wait 5 minutes for any gas to clear.
2. Turn the tank valve ON. Push control knob in and rotate to PUSH. Then push the igniter button and control knob until the burner is ignited. If the burner fails to remain lit or becomes extinguished, repeat step 2 after 5 minutes complete shutoff period before relighting.
3. Once the burner has lit, continue to hold the control knob in for 30 seconds, and then release.
4. Turn the control knob from LOW to HIGH until the desired heat setting is achieved.
5. Visually check the burner flame against the illustrations below:
 - 1) Flame should be blue with slight yellow tips.
 - 2) You should see a smaller flame in LOW position than seen on HIGH. Perform flame check prior to each use. If only low flame is seen, refer to "Burner flame is low" in the "TROUBLESHOOTING" on page 17.



For complete shutdown

1. Please turn the knob to "Push" position first, then push and turn to "Off" position for complete shut off.
2. Turn the LP gas tank valve OFF before remove the LP gas tank.

OPERATIONG INSTRUCTIONS

In any case of failure of normal ignition, please use the ignition bar with a match to reach the burner for ignition through the hole on the bottom of burner diffuser. Insert the match from the back side of the burner assembly where is opposite to the control panel.

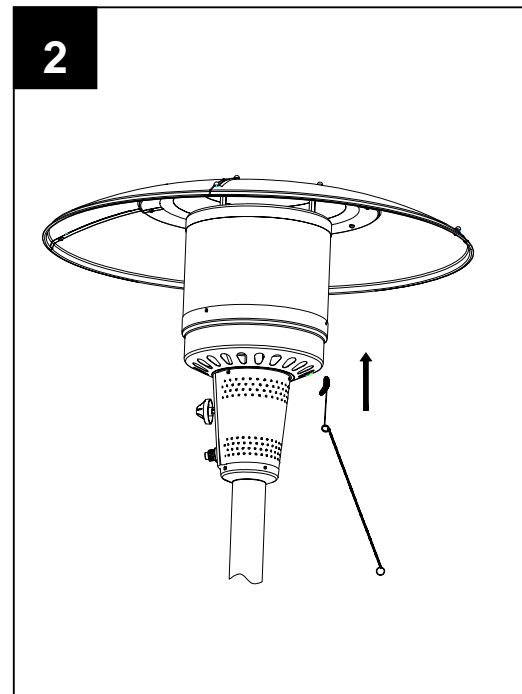
WARNING

If at any time you are unable to light burner and smell gas, wait 5 minutes to allow gas to dissipate before attempting to light heater.

WARNING

DO NOT touch or move heater for at least 45 minutes after use. Allow emitter and dome to cool before touching.

WARNING: Avoid inhaling fumes emitted from the heater's first use. Smoke and odor from the burning of oils used in manufacturing will appear. Both smoke and odor will dissipate after approximately 30 minutes. The heater should NOT produce thick black smoke.



CARE AND MAINTENANCE

- Abrasive cleaners will damage this product.
- Never use oven cleaner to clean any part of heater
- Do not clean any heater part in a self-cleaning oven. The extreme heat will damage the finish.
- More frequent cleaning may be required as necessary. It is imperative that control compartment, burners and circulating air passageways of the heater be kept clean.
- Spiders and insects can create a dangerous condition that may damage heater or make it unsafe. Keep burner area clean of all spiders, webs or insects. Clean burner holes by using a heavy-duty pipe cleaner. Compressed air may help clear away smaller particles.
- Inspect heater before each use.
- Have heater inspected annually and repairs should be made by a qualified service person
- Check heater immediately if any of the following conditions exist:
 - a. The smell of gas in conjunction with extreme yellow tipping of burner flames
 - b. Heater does not reach proper temperature.
 - c. Heater's glow is excessively uneven.
 - d. Burner makes popping noises during use.

Note: A slight pop is normal when burner is extinguished.

- Carbon deposits may create a fire hazard. Keep dome and emitter clean at all times.
- Do not clean heater with combustible or corrosive cleaners. Use warm, soapy water.
- Do not paint engine, engine access panel or dome.
- This heater should be thoroughly cleaned on a regular basis.
- After a period of storage and/or non use, check for leaks, burner obstructions and inspect for any abrasion, wear, cuts to the hose.

CARE AND MAINTENANCE

Cleaning

- Wipe surfaces clean with mild dish detergent or baking soda.
- For stubborn surfaces use a citrus-based degreaser and a nylon scrubbing brush.
- Rinse clean with water.

Note: While cleaning the unit, be sure to keep the area around the burner and pilot assembly dry at all times. Do not submerge the control valve assembly. If the gas control is submerged in water, do NOT use it. It must be replaced.

TIP: Use high-quality automobile wax to help maintain the appearance of the heater. Apply to exterior surfaces from the pole down. Do not apply to emitter screen or domes

Maintenance

- Keep exterior surfaces clean.
- Air flow must be unobstructed. Keep controls, burner and circulating air passageways clean.

Signs of possible blockage include:

Gas odor with extreme yellow tipping of flame.

Heater does NOT reach the desired temperature.

Heater glow is excessively uneven.

Heater makes popping noises.

Note: In a salt-air environment (such as near an ocean) corrosion occurs more quickly than normal. Frequently check for corroded areas and repair them promptly.

Storage

Between uses or during periods of extended inactivity:

- Turn control knob to "OFF".
- Disconnect LP cylinder and move to a secure, well-ventilated location outdoors.
- Store heater upright in an area sheltered from direct contact with inclement weather (such as rain, sleet, hail, snow, dust and debris).

Note: Never leave LP gas tank exposed to direct sunlight or excessive heat.

- If desired, use cover (K) to protect the heater and help prevent buildup in air passages.

CAUTION: Wait until heater is cool before covering.

TROUBLESHOOTING

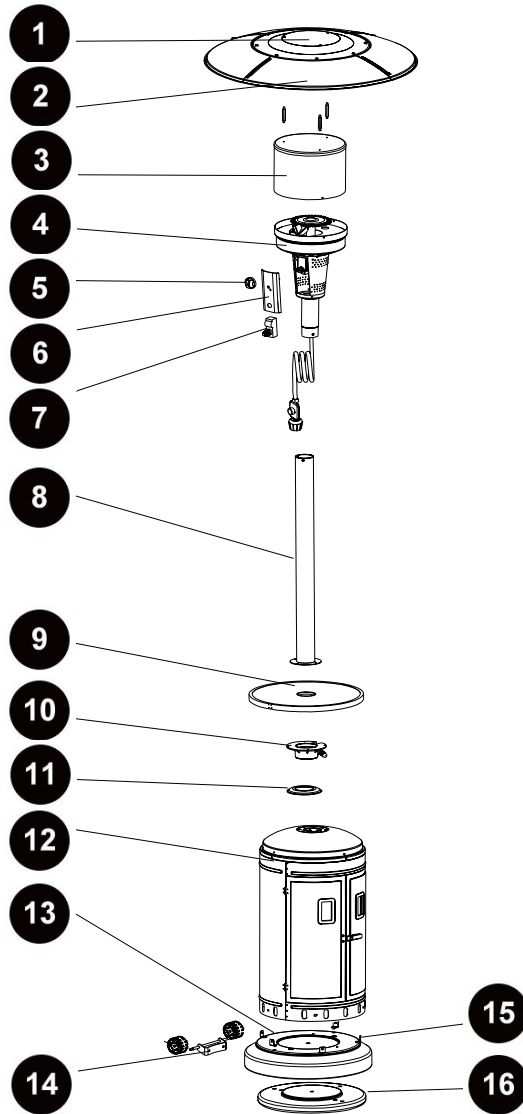
PROBLEM	POSSIBLE CAUSE	CORRECTIVE ACTION
Burner doesn't light	<ol style="list-style-type: none"> 1. Gas pressure is low. 2. The orifice is blocked. 3. Control knob is not in "ON" position. 	<ol style="list-style-type: none"> 1. Turn the gas cylinder valve "OFF" and replace the cylinder. 2. Clear blockage. 3. Turn control knob to "ON"
Burner flame is low	<ol style="list-style-type: none"> 1. Gas pressure is low. 2. The control knob is not positioned at "High". 3. The burner jet is partially blocked. 4. Outdoor temperature is less than 40°F and tank is less than 1/4 full. 5. Supply hose is bent or kinked. 	<ol style="list-style-type: none"> 1. Turn the gas cylinder valve "OFF" and replace the cylinder. 2. Position the control knob at "High" 3. Clear blockage. 4. Use a full gas cylinder. 5. Straighten the hose.
Carbon buildup	Seasonal accumulation.	Wipe off before lighting.
Thick black smoke	Blockage in burner	Remove blockage and clean burner inside and outside.

WARRANTY

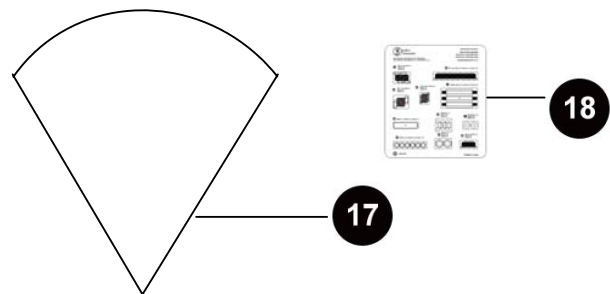
The appliance has been manufactured under the highest standards of quality and workmanship. We warrant to the original consumer/purchaser that all aspects of this product will be free of defects in material and workmanship for one (1) year from the date of purchase. Replacements for any defective part will be supplied free of charge for installation by the consumer. Defects or damage caused by the use of other than genuine parts are not covered by this warranty. This warranty shall be effective from the date of purchase as shown in the purchaser's receipt. This warranty is valid for the original consumer purchaser only and excludes industrial, commercial or business use of the product, product damage due to shipment or failure which results from alteration, product abuse or product misuse, where performed by a container, service company or consumer. We will not be responsible for labor charges and/or damage incurred in installation, repair or replacement, nor for incidental or consequential damage. This warranty gives you specific legal rights, and you may also have the other rights that vary from state to state.

REPLACEMENT PARTS LIST

For replacement parts, call our customer service department at 1-800-643-0067, 8 a.m. - 8 p.m., EST, Monday – Friday.



PART	DESCRIPTION	PART #
1	Top Dome	5007755
2	KD Dome	5007756
3	Burner Chamber Assembly	5203139
4	Burner Assembly	0574423-4
5	Knob	2100462
6	Valve Shroud Cover	5203146
7	Igniter	2406521
8	Pole Assembly	5203148
9	Table	0574423-9
10	Table Support Assembly	2406488
11	Deck Ring	5015240
12	Cylinder Assembly	5203093
13	Base	5203092
14	Wheel Support	5203094
15	Shroud Fix Bracket	2306622
16	Weight Plate	5203097
17	Cover	3106103
18	Hardware Pack	5203221



Printed in China

Garden Treasures® is a registered trademark of LF, LLC. All Rights Reserved.